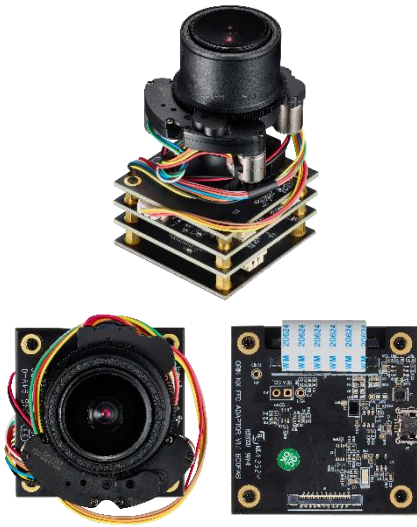


# EV2M-ZOM1

## MIPI CSI-2 2MP Varifocal Camera Module

### HIGHLIGHT FEATURES

- MIPI CSI-2 Interface, 1920 x 1200 @60fps (Max Resolution)
- Support Global Shutter, ISP inside
- Lens D / H / V FOV : (W) 128.1° / 103.1° / 60.6°, (T) 39.9° / 33.8° / 21.1°
- Platform Support : NVIDIA Jetson Orin



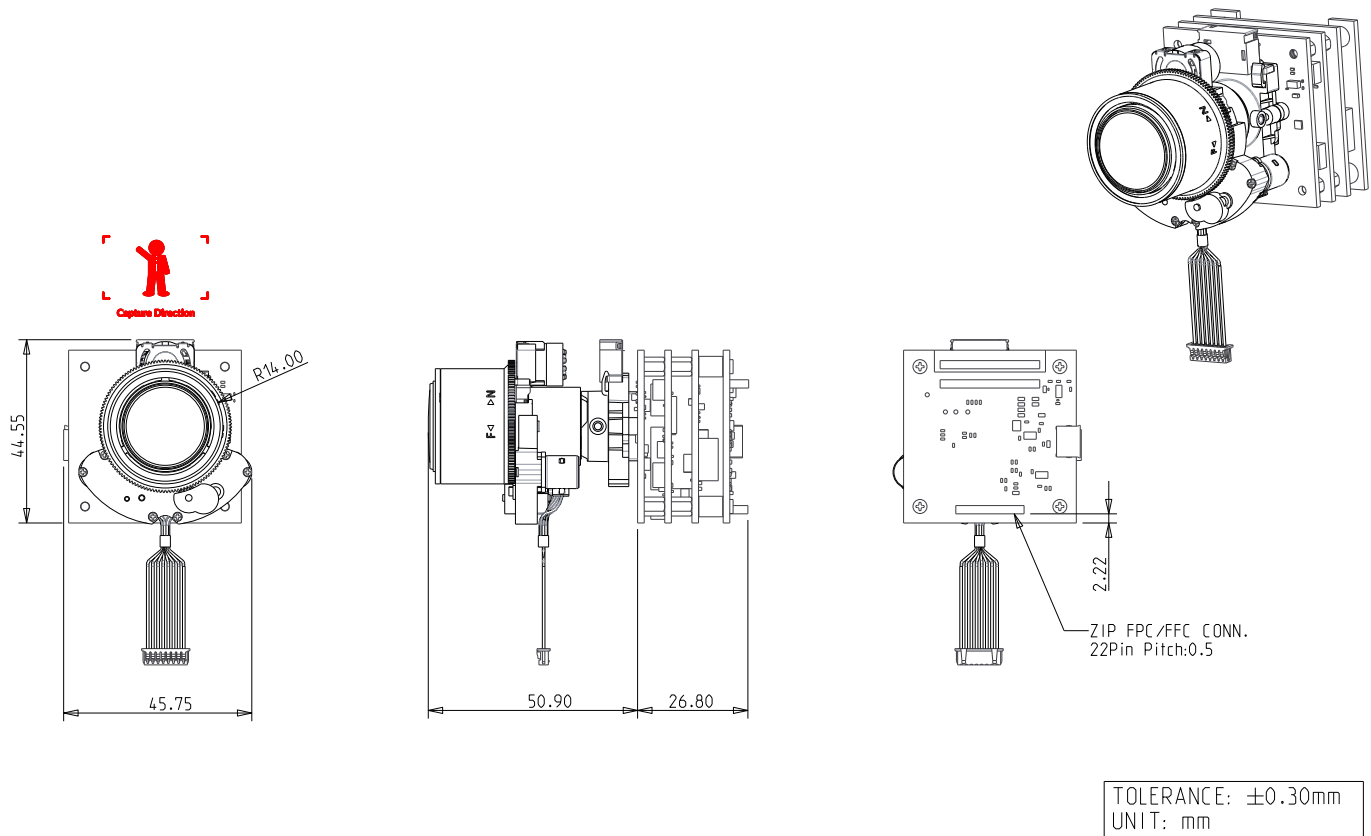
### SPECIFICATIONS

<b>Model Name</b>	EV2M-ZOM1
<b>Module Type</b>	MIPI CSI-2 2MP Varifocal Camera Module
<b>Resolution (Max.)</b>	1920 x 1200 @60fps
<b>Output I/F</b>	MIPI CSI-2
<b>Sensor</b>	Onsemi AR0234
<b>Shutter</b>	Global
<b>Video Format</b>	YUV422
<b>Power Consumption</b>	Approximate 2W (YUV422 @Full Resolution )
<b>Operation Temperature</b>	-20°C ~ 65°C
<b>Sensor Size</b>	1/2.6"
<b>Pixel Size</b>	3.0µm
<b>Lens Type</b>	Varifocal
<b>Dimension (W x L x H/mm)</b>	42 x 42 x 76
<b>Lens D / H / V FOV</b>	W : 128.1° / 103.1° / 60.6° T : 39.9° / 33.8° / 21.1°
<b>OS / Platform Support</b>	NVIDIA Jetson Orin (For more information please contact our local sales.)
<b>Warranty</b>	3 Years

## ORDER INFO.

P/N	Description
EV5M-CSM1-RTCF-21	MIPI CSI-2 2MP Varifocal Camera Module (MIPI CSI-2 FFC cable included)

## MECHANICAL DRAWING

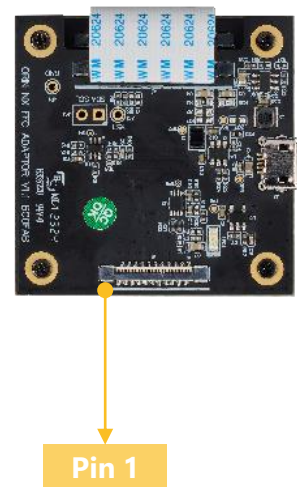


## RESOLUTION MATRIX

Resolution	YUV422	MJPEG
1920 x 1200	60 / 50 / 30 / 25 fps	N/A
1920 x 1080	100 / 60 / 50 / 30 / 25 fps	N/A
1280 x 960	100 / 60 / 50 / 30 / 25 fps	N/A
1280 x 720	100 / 60 / 50 / 30 / 25 fps	N/A
1024 x 768	100 / 60 / 50 / 30 / 25 fps	N/A
640 x 480	100 / 60 / 50 / 30 / 25 fps	N/A

## CONNECTOR PIN ASSIGNMENT

Pin #	Pin Name	Description
1	GND	Ground
2	CAM_D0_N	CSI Data 0
3	CAM_D0_P	CSI Data 0
4	GND	Ground
5	CAM_D1_N	CSI Data 1
6	CAM_D1_P	CSI Data 1
7	GND	Ground
8	CAM_CK_N	CSI Clock
9	CAM_CK_P	CSI Clock
10	GND	Ground
11	CAM_D2_N	CSI Data 2
12	CAM_D2_P	CSI Data 2
13	GND	Ground
14	CAM_D3_N	CSI Data 3
15	CAM_D3_P	CSI Data 3
16	GND	Ground
17	CAM_PWDN	Camera Power-down
18	CAM_MCLK	Camera Master Clock
19	GND	Ground
20	CAM_SCL	I2C Clock (3.3V)
21	CAM_SDA	I2C Data (3.3V)
22	CAM_3V3	+3.3V

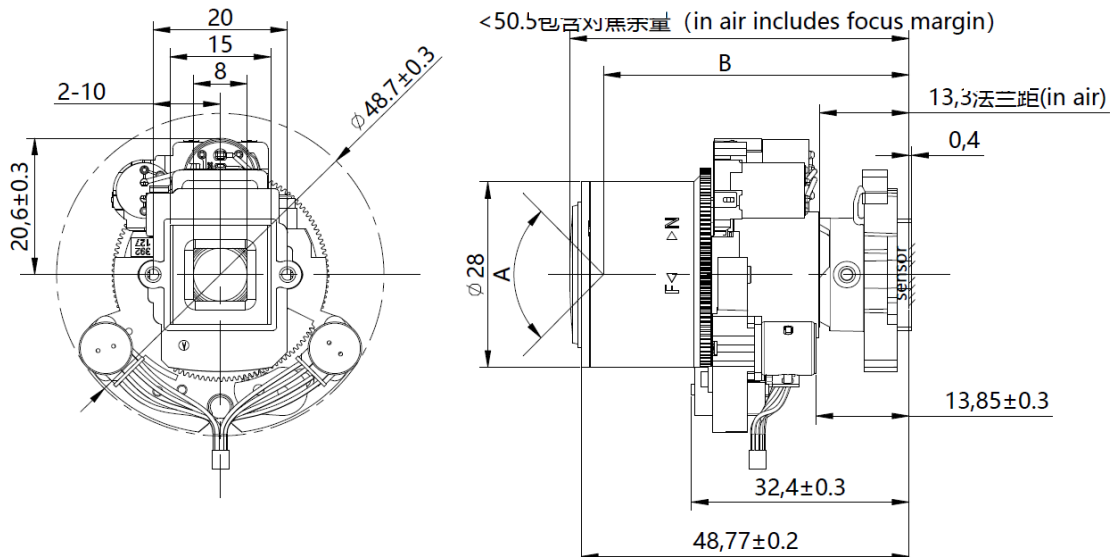


## PLATFORM SUPPORT

Platform	Processor
NVIDIA Jetson	Jetson AGX Orin Jetson Orin NX Jetson Orin Nano

For more information please contact our local sales.

# LENS SPEC.



Items	Specification
F No.	1.86 ~ 3.32 ± 5%
Focal Length	3.5 ~ 9.85mm ± 3%
Lens Structure	9G
Mount	14mm

# CABLE APPEARANCE

