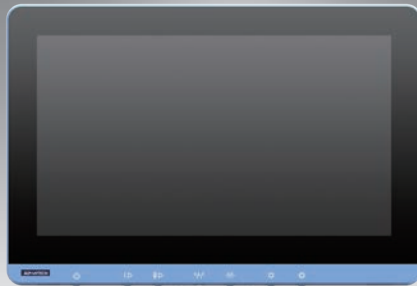


# POC-615

## 15" Point-of-Care Terminal with 11th Generation Intel® Processor



DeviceOn/iService

### Features

- 11th generation Intel® Core™ i5/i7 processor
- 15.6" full HD display with multi-touch P-CAP control
- Multiple I/O, including USB 3.2 Gen 2 (Type A), USB 3.2 Gen 2 (Type C) with display function, and HDMI
- PCIe x4, mini PCIe, M.2 expansion slots for integrating add-on modules
- Fanless design with IP43-rated protection for superior hygiene and infection control
- Optional Wi-Fi, Bluetooth, RFID, smart card reader, Li-ion battery pack, and auto-focus 5 megapixel camera
- Equipped with DeviceOn/iService software for remote device management



### Introduction

POC-615 is equipped with an integrated NVME SSD that facilitates real-time data processing and storage. Compliant with IEC 60601-1 medical safety standards for electrical devices, POC-6 terminals are built for reliable operation in a wide range of healthcare environments.

Moreover, POC-615 is equipped with Advantech's DeviceOn/iService software, which is a next-generation unified device management solution based on the WISE-DeviceOn platform. With support for batch operations and multi-device control, DeviceOn/iService enables easy device configuration and deployment for convenient remote device management.

### Specifications

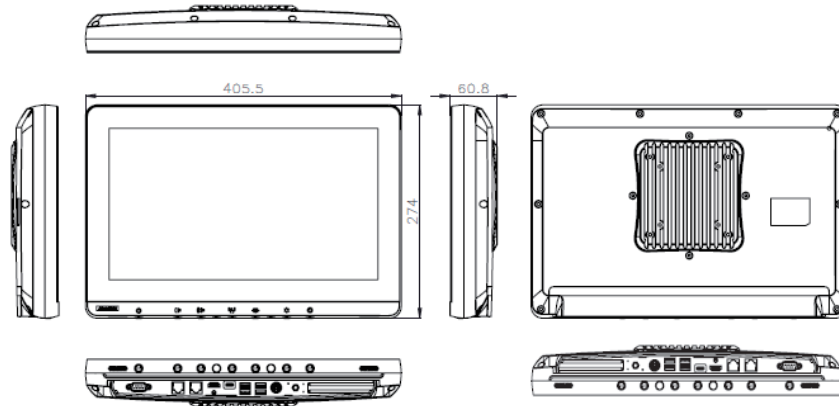
System	Processor*	Intel® Core™ i7-1185G7E (12M cache, up to 4.40 GHz) Intel® Core™ i5-1145G7E (8M cache, up to 4.10 GHz)
	Memory (default)	8GB DDR4 (supports up to 64GB DDR4 SODIMM)
	Operating System (optional)	Windows 10 IoT Ent (64 bits only), Linux (supported upon request)
Storage	Primary Storage (optional)	NVME SSD (M.2 2280)
	Storage	2.5" SATA SSD available
Display	Size	15.6 inch
	Max. Resolution	1920 x 1080
Touch	Type	10-point multi touch P-CAP (clear glass); optional AG/AR support upon request
I/O	USB 3.2 Gen 2 (Type A)	4
	USB 3.2 Gen 2 (Type C)	1 (with display function)
	HDMI	1
	LAN isolation, 1.5KV	2
	COM (RS232) 1.5KV	1
Expansion Slots	PCIe x4**	1 (card length: 167.65 mm/6.6 in Max)
	M.2 2230	1 (for Wi-Fi/Bluetooth module)
	Mini PCIe	1 (full size)
Other Functions	Speaker	2 x 2W
	LED Book Light	2
	Camera	1 x 5 megapixel (optional)
	TPM2.0	2.0 (default via fTPM –Firmware TPM)
Power Input	DC	19V, max. 150W
IP Rating	Front Panel	IP65
	System	IP43
Authentication Solution (Choose 1)	RFID Reader	Optional (choose either RFID or smart card reader)
	Smart Card Reader**	Optional (choose either RFID or smart card reader)
Battery Solutions	Backup Battery**	Optional (choose either 1 backup battery or PCIe x4)
Certification	EMC & Safety	Medical CE, FCC (IEC 60601-1-2, 4th edition)
		EN 60601-1 Compliance
Physical Characteristics	Dimensions (W x H x D)	406 x 274 x 61 mm/15.98 x 10.79 x 2.4 in
	VESA Mount	100 x 100; 75 x 75 mm
	Weight	4.89 kg/10.78 lb
Environment	Operating Temperature	0 ~ 35 °C/32 ~ 95 °F
	Storage Temperature	0 ~ 50 °C/32 ~ 122 °F
Warranty	System	3 years
	Battery Pack	1 year or capacity 70% and 300 cycles (whichever happens first)

\*Intel® Celeron® processor available upon request.

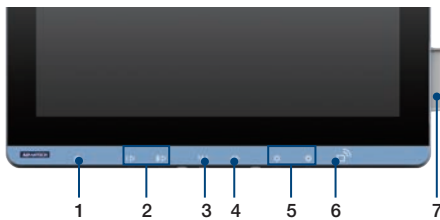
\*\*Either PCIe x4, smart card reader, or backup battery can be chosen.

## Dimensions

Unit: mm



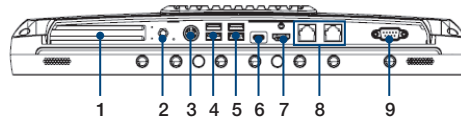
## Front Function Keys



- 1. Power button
- 2. Volume down/up
- 3. Touchscreen status control
- 4. Read light control
- 5. Brightness down/up
- 6. RFID reader (optional)
- 7. Smart card reader (optional)  
(choose either RFID or smart card reader)

## I/O Ports

### Rear



- 1. PCIe x4 slot
- 2. Equipotential terminal pin
- 3. DC-in
- 4. 2 x USB 3.2 Type A
- 5. 2 x USB 3.2 Type A
- 6. 1 x USB 3.2 (Type C)
- 7. HDMI
- 8. 2 x Gigabit Ethernet
- 9. 1 x COM (RS-232)

## Configuration To Order Service (CTOS)

### Ordering Information (Barebone Units)

Part Number (DC Model)	Descriptions	CPU	RAM	Touch	SSD	RFID
POC-615-12A111-CF	Intel® Core i7, 8GB memory, clear glass with P-CAP touch, W/O SSD, ver F	i7	8GB	P-CAP	NA	
POC-615-12B111-CF	Intel® Core i5, 8GB memory, clear glass with P-CAP touch, W/O SSD, ver F	i5	8GB	P-CAP	NA	
POC-615-12A111R-CF	Intel® Core i7, 8GB memory, 1 x COM 1.5KV, clear glass with P-CAP touch, W/O SSD, with RFID, ver F	i7	8GB	P-CAP	NA	Yes
POC-615-12B111R-CF	Intel® Core i5, 8GB memory, 1 x COM 1.5KV, clear glass with P-CAP touch, W/O SSD, with RFID, ver F	i5	8GB	P-CAP	NA	Yes

## Component Offerings

### Memory

Part Number	Description
SQR-SD4N4G3K2SNEFB	DDR4 3200 4GB 1.2v 512x8
SQR-SD4N8G3K2SNBCB	DDR4 3200 8GB 1.2v 1Gx8
SQR-SD4N16G3K2SNCB	DDR4 3200 16GB 1.2v 1Gx8
SQR-SD4N32G3K2SNAB	DDR4 3200 32GB 1.2v 2Gx8
SQR-SD4I4G3K2SNEFB	DDR4 3200 4GB 1.2v 512x8
SQR-SD4I8G3K2SNBCB	DDR4 3200 8GB 1.2v 1Gx8
SQR-SD4I16G3K2SNCB	DDR4 3200 16GB 1.2v 1Gx8
SQR-SD4I32G3K2SNAB	DDR4 3200 32GB 1.2v 2Gx8

### M.2 2280 NVME SSD

Part Number	Description
SQF-C8BV2-128GDEDM	SQF PCIe/NVMe M.2 2280 OPAL 720-D 128G 3D TLC BiCS5
SQF-C8BV2-256GDEDM	SQF PCIe/NVMe M.2 2280 OPAL 720-D 256G 3D TLC BiCS5
SQF-C8BV2-512GDEDM	SQF PCIe/NVMe M.2 2280 OPAL 720-D 512G 3D TLC BiCS5

### 2.5" SATA SSD and Mounting Kit

Part Number	Product Description
SQF-S25V2-128GCSBC	SQF 2.5" SATA SSD 128G 3D TLC (BiCS4)
SQF-S25V2-256GCSBC	SQF 2.5" SATA SSD 256G 3D TLC (BiCS4)
SQF-S25V4-512GCSBC	SQF 2.5" SATA SSD 512G 3D TLC (BiCS4)
SQF-S25V4-1TCSBC	SQF 2.5" SATA SSD 1T 3D TLC (BiCS4)
SQFFS25V8-2TSC	SQF 2.5" SATA FIPS SSD 2T 3D TLC (BiCS4)

Part Number	Part Description	Qty
1700033584-01	SATA Cable	1
1700033596-01	SATA Power Cable	1
1960097062N001	SSD Bracket	1
19330304A0	Screw	2
1930001361	Screw	2
193A231560	Pillar	2
1940003234	Gasket	1

### Wi-Fi + BT Module

Part Number	Description
EWM-W165M201E	Intel® Dual Band Wireless-AX210 (Wi-Fi 6)
EWM-W165M203E	

### Power Cord

Region	Part Number (DC Model)
USA (Thailand, Philippines)	1702002600
Europe (Indonesia)	1702002605
UK (Singapore, Malaysia)	1700018704
Japan (PSE)	1700000237

## Accessories

### Backup Battery (Internal)



## Battery Pack Specification


Battery Pack Type	Lithium-ion battery
Battery Pack Capacity	90Wh
Total Capacity	90Wh
Battery Runtime	3-4hrs
Battery Lifespan	300 cycle time $\geq$ 70%
Capacity Indicator	LED indicator with button
Weight	540g/1.2lb

\*Backup battery is 1 piece.

## Battery Module

Part Number	Description
POC-BAT-101-6A*	Backup battery (internal)

## Recommended Mounting Solution

Model Name	ARES-2423R
Part Number	ARES-2423R-A741L00
Photo	
Max. Support Weight	6 - 12kg
Max. Support Panel Size	$\leq$ 27"
VESA Information	75 x 75 mm 100x100 mm

For more information, please click this link: <https://bit.ly/3T7dLMR>

# DeviceOn/iService

## Unified Remote Device Management Software



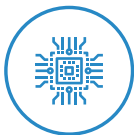
### Features

- Supports Advantech devices equipped with Windows, Android, and Linux OS
- Flexible device, location, user, and permissions management
- Enables remote monitoring and control of hardware, software, and peripherals
- Supports over-the-air (OTA) firmware and software updates
- Ensures quick, easy, and secure device onboarding
- RESTful APIs for third-party system integration

### Introduction

Advantech's DeviceOn/iService is a next-generation unified device management solution based on the WISE-DeviceOn platform. Designed to enable centralized monitoring and remote management, DeviceOn/iService supports Advantech devices equipped with Windows, Linux, or Android operating systems. The software also supports the management of applications and integrated peripherals, such as a barcode scanner, card reader, camera, and printer. Users can remotely access and control connected devices, take screenshots, rollout OTA upgrades, and use remote desktop capabilities for troubleshooting from any location at any time. Moreover, DeviceOn/iService supports batch operations to facilitate the management of multiple devices simultaneously for easy and convenient device configuration and deployment.

### Total Management



#### Devices & Hardware

- Windows, Linux, Android
- Hardware, storage, battery



#### Software & Peripherals

- Software monitoring & access
- Screens, USB devices, printers



#### Open for Expansion

- Peripheral integration
- Open APIs for integration

### Remote Access



#### Real-Time Monitoring

- Connection/hardware status
- Software/peripheral status
- Failure notifications



#### Remote Controls

- Power controls
- Audio, backlight controls
- Software controls



#### Troubleshooting

- Screenshots
- Remote desktop support

### Operational Efficiency



#### OTA updates

- System/software updates
- File repository management
- App store



#### Batch Controls

- 1-to-many batch reboot, etc.
- Time-saving tasks

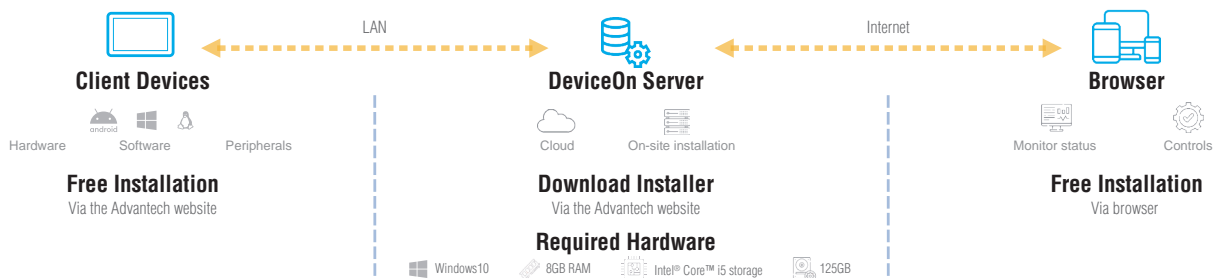


#### Setup Booster

- Software/peripheral watchlist
- Roles, rule templates

Note: Some functions may vary according to the product

### System Architecture



## DeviceOn/iService Specifications

DeviceOn/iService Remote Device Management	Operating System	Windows 10
	Common Controls (Reboot, Shutdown)	✓
	Remote desktop	✓ (VNC)
	Device-Specific Controls (Audio, Backlight)	✓*
	Connection Status	✓
	Hardware Status	✓*
	Hard Disk Status	✓*
	Batch Operation Support	✓
	OTA Storage Management	FTP
	OTA Software Updates	✓
	Software Watchlist	✓
	Software Start/Stop	✓*
	* Dependant on device model	Peripherals Watchlist

Note:

1. DeviceOn/iService software must be downloaded from the Advantech website at <https://www.advantech.com/search/?q=DeviceOn%2FiService&st=support&sst=Utility>