

# POC-W213

## 21.5" Widescreen Point-of-Care Terminal with Fanless and Slim Design



### Features

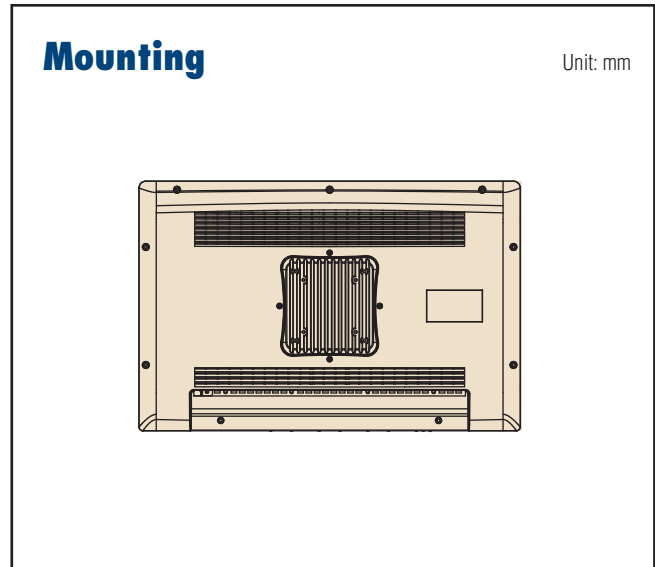
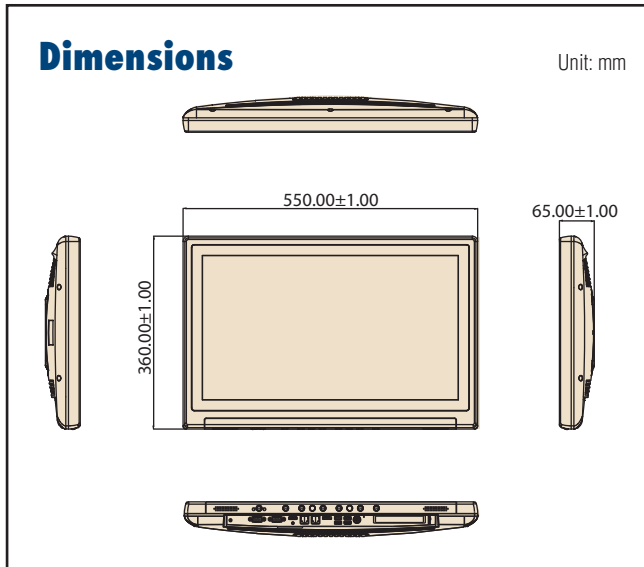
- Runs on Intel® 6th generation, Skylake processor with a fanless, high performance profile
- Ultra-thin display, only 65 mm slim at its widest point
- Capable of displaying crystal clear images on its 21.5" wide-screen display
- Isolated design provides unique electric leakage protection for COM ports and LAN ports
- IPX1 water resistant enclosure with additional IP65 dust-tight front panel
- IEC 60601-1 Ed 3.1 certified ensures highest levels of safety and reliability
- Optional Bluetooth, RFID, Blu-ray RW, inner WLAN, Li-ion battery pack, IEEE 1394, and DICOM module
- Support Intel® firmware trusted platform module (TPM) with Intel® Platform Trust Technology (Intel® PTT)



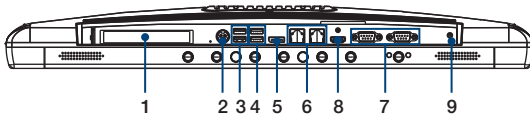
### Specifications

Computing System	CPU* (Supports Intel® PTT Technology)	Intel® Core™ i7-6600U Processor (4M Cache, up to 3.40 GHz) Intel® Core™ i5-6300U Processor (3M Cache, up to 3.00 GHz) Intel® Core™ i3-6100U Processor (3M Cache, 2.30 GHz) Intel® Celeron® Processor 3955U (2M Cache, 2.00 GHz)	
	Memory	DDR4 1866/2133 SODIMM (up to 32GB)	
	Graphics Controller	Intel HD Graphics 520/510	
	G-sensor	2g/±4g/±8g/±16g, 6D/4D orientation detection	
	Operating System (Optional)	Windows 7/Windows 8.1 Industry Pro/Windows 10 IoT	
Display	Display Size	21.5" wide TFT color LCD (16:9)	
	Type	IPS	
	Max. Resolution	1920 x 1080 (H x V)	
	Max. Colors	16.7 M colors (6-bits+A-FRC)	
	Pixel Pitch (um)	247.5 x 247.5	
	Viewing Angle	178/178°	
	Luminance	250 cd/m <sup>2</sup>	
	Backlight	LED	
Expansion Slot	LCD MTBF	30,000 Hours	
	Contrast Ratio	1000 : 1	
Expansion Slot	Mini PCIe (mSATA)	2 (1 x full-size, 1 half-size)	
	PCIe	1 x PCIe (x4) (Max. card length: 167.65mm) (Supports Gen 1/2/3)	
I/O Ports	Serial Ports	2 x RS-232/422/485 (1.5KV isolated) serial port	
	USB 3.0 ports	2 x USB 3.0 ports (rear)	
	USB 2.0 Ports	2 x USB 2.0 ports (side) 2 x USB 2.0 ports (Rear)	
	Audio	2 x speakers (2 W)	
	HDMI	1 x HDMI out, support resolution up to 4096 x 2304 @ 24Hz	
	Displayport	1 x Displayport out, support resolution up to 4096 x 2304 @ 60Hz	
	LAN	2 x Gigabit Ethernet (1.5KV isolated) interfaces (RJ-45)	
Storage	SSD (Default)	128GB SSD	
	HDD/mSATA (Optional)	2.5" SATA HDD instead of SSD*, Mini PCIe mSATA	
Power Supply	DC Model	AC/DC adapter (Sinpro Model no.HPU101-107)	
	Input Voltage	90 ~ 260 V <sub>ac</sub> , 1.35 ~ 0.5 A, 47 ~ 63 Hz	
	Output Voltage	+18 V <sub>dc</sub> , 5.55 A max. (100 watts)	
Optional Functions	Battery	3S1P 1750mAh, supports 0.5hr backup operation (Adding the battery will shorten available PCIe x4 slot space inserted)	
	Smart Card Reader	Complies with ISO7816-1,2,3,T=1 and T=0 protocol	
	WLAN & Bluetooth	Qualcomm Atheros Dual-band (2.4/5GHz) 802.11 a/b/g/n/ac 2Tx/2Rx WiFi & Bluetooth v4.1	
	RFID*	13.56MHz, ISO-15693, ISO-14443A, ISO-14443B	
	Optional Touchscreen	Type	Analog Resistive (Clear & AG)
Resolution		Continuous	Continuous
Light Transmission		80±3%	90±3%
Controller		USB interface	USB interface
Durability		35 million touches	Over 50 million touches
IP Rating	Front Panel	IP65	
	Entire System	IPX1	
Certifications	UL60601-1/EN60601-1 Edition 3.1, CE & FCC Edition 4.0 Class B, and CCC certified		
Environment	Temperature	0 ~ 40° C (32 ~ 104° F) (Operating) -20 ~ 60° C (-4~140° F) (Storage)	
	Humidity	10 ~ 90% @ 40° C (Non-condensing) (Operating) 5% ~ 90% @ 40° C (Non-condensing) (Storage)	
	Shock Resistance	20 G peak acceleration (11 ms duration)	
Physical Characteristics	Dimensions (W x D x H)	550 x 360 x 65 mm (21.65" x 14.17" x 2.56")	
	Weight	6.9 kg (15.2 lb)	
	VESA Mount	100 x 100, 75 x 75	

\* = Customized solution contact Advantech sales team for more information



## Rear I/O Ports

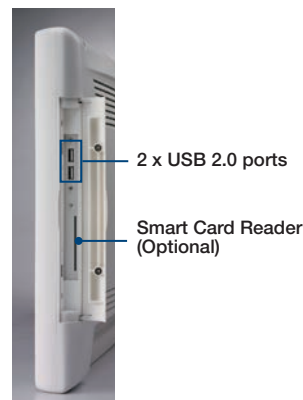


- (1) PCIe(x4) card slot
- (2) DC-IN
- (3) 2 x USB 2.0 ports
- (4) 2 x USB 3.0 ports
- (5) Displayport
- (6) 2 x Gigabit Ethernet interfaces (RJ-45)
- (7) 2 x RS-232/422/485(isolated) serial port
- (8) HDMI port out
- (9) Equipotential terminal pi

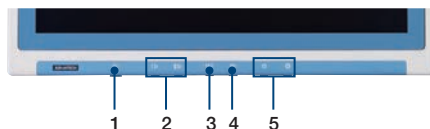
## Left Side I/O



## Right Side I/O



## Function Keys



- (1) Power
- (2) Volume Up/Down
- (3) Touchscreen Status Control
- (4) Read Light Control
- (5) Brightness Increase/Decrease

## Ordering Information

Part Number	CPU	DRAM	Touch Panel	SSD
POC-W213-A01D-ACE	Core i7-6600U 2.6G	4GB	P-CAP	128GB
POC-W213-B01D-ACE	Core i5-6300U 2.4G	4GB	P-CAP	128GB
POC-W213-C01D-ACE	Celeron 3955U 2.0G	4GB	P-CAP	128GB

## Accessories

Part Number	Description
PDC-W215-STAND-H3E	PDC-W215 STAND_H3-741L type_6~12kg Black
1702002600	Power Cable (USA) 1.8 M
1702002605	Power Cable (Europe) 1.8 M
1700018704	Power Cord (UK) 1.8 M

## Optional Modules

Part Number	Description
POC-W213-WF3E	WLAN (802.11 a/b/g/n/ac) and Bluetooth 4.1 Module
POC-W21X-BA0E	Battery Pack, 3S1P, 1750 mAh
POC-W21X-SC0E	Smart Card module
POC-W212-RW0E	DVD+/-RW module

For information about RFID, contact Advantech sales team

## PCIe Module

Part Number	Description
96SER-9PN-2P-PE-UP	UPMOST RS-232 CARD 9PIN 2PORT PCIE(G)
XAESC-1213	UPMOST UTB101 1394A EXPANSION CARD
PCIE-1602C-AE	2-port RS-232/422/485 PCIe Comm. Card w/Iso
DMS-IR06-00A1E	Dual LAN port