

Specifications

Model		POCi-W22C-ULT5	POCi-W24C-ULT5	
LCD Specifications	LCD Size	21.5" (16:9)	23.8" (16:9)	
	Max. Resolution (W / H)	1920 x 1080	1920 x 1080	
	Brightness (cd/m ²)	250	250	
	Contrast Ratio	1000:1	1000:1	
	LCD Color	16.7M RGB 6-bit (Hi-FRC)	16.7M RGB 6-bit (Hi-FRC)	
	Pixel Pitch (H / V)	0.24795 x 0.24795 mm	0.2745 × 0.2745 mm	
	Viewing Angle (H / V)	178° / 178°	178° / 178°	
	Backlight MTBF (hrs)	30,000 (LED backlight)	30,000 (LED backlight)	
Touch	Touchscreen	Projected capacitive type with 10-point multi-touch	Projected capacitive type with 10-point multi-touch	
	Touch Controller	EETI (80H84)	EETI (80H84)	
	Surface Hardness	6H	6H	
	Coating	Chemical etching AG	Chemical etching AG	
System	CPU Support	Intel® Core™ i7-8665UE (Whiskey Lake ULT platform) Intel® Core™ i5-8365UE (Whiskey Lake ULT platform)	Intel® Core™ i7-8665UE (Whiskey Lake ULT platform) Intel® Core™ i5-8365UE (Whiskey Lake ULT platform)	
	LAN Controller	1 x Intel® I211 Ethernet Controller 1 x Intel® I219 Ethernet Controller (AMT 12.x supported by i7/i5 SKUs)	1 x Intel® I211 Ethernet Controller 1 x Intel® I219 Ethernet Controller (AMT 12.x supported by i7/i5 SKUs)	
	RAM	Two 260-pin 2400/2133MHz dual-channel DDR4 SO-DIMM, 4GB pre-installed (System max. 64GB)	Two 260-pin 2400/2133MHz dual-channel DDR4 SO-DIMM, 4GB pre-installed (System max. 64GB)	
	Storage	1 x M.2 2242/60/80 M key (PCIe x4) 1 x 2.5" accessible SATA HDD/SSD bay	1 x M.2 2242/60/80 M key (PCIe x4) 1 x 2.5" accessible SATA HDD/SSD bay	
	Audio	2 x 2W speaker	2 x 2W speaker	
	I/O Port	Bottom 1 x DC jack 1 x HDMI 1.4 output 1 x Isolated 1.5kV RS-232 1 x Combo audio-out / mic-in 1 x Isolated Gigabit LAN (I211) 1 x Isolated Gigabit LAN (I219 supports Intel® vPro) 4 x USB 3.2 Gen 2 port	Side 2 x USB 2.0 port	
	OSD Function	1 x Power on/off 1 x Reading light on/off 1 x Backlight brightness up	1 x Backlight brightness down 1 x Clean mode on/off 1 x DICOM mode app on/off (optional)	
	Expansion	1 x PCIe x4	1 x PCIe x4	
	LED	1 x RFID indicator (optional) 2 x LED reading light	1 x RFID indicator (optional) 2 x LED reading light	
	Wi-Fi & Bluetooth	IEEE 802.11 ax 2T2R module (Wi-Fi 6 Module) with BT V5.0 (M.2 2230 A-E key)	IEEE 802.11 ax 2T2R module (Wi-Fi 6 Module) with BT V5.0 (M.2 2230 A-E key)	
	Physical	Construction Material	Front bezel: Aluminum die-casting Rear cover: ABS+PC plastic (chemical resistant)	Front bezel: Aluminum die-casting Rear cover: ABS+PC plastic (chemical resistant)
		Mounting	Wall, Stand and Arm VESA 75/100	Wall, Stand and Arm VESA 75/100
Weight (Net)		6.9 kg	8.1 kg	
Dimensions (LxWxH)		507.5 x 64.5 x 335.5 mm	567 x 63.9 x 370.6 mm	
Environment	Operating Temperature	0°C~40°C	0°C~40°C	
	Storage Temperature	-20°C~60°C	-20°C~60°C	
	Humidity	10% to 95% (non-condensing)	10% to 95% (non-condensing)	
	Vibration	1G	1G	
	Shock	Operating shock: 5G peak acceleration (11ms duration) Non-operating shock: 15G peak acceleration (11ms duration)	Operating shock: 5G peak acceleration (11ms duration) Non-operating shock: 15G peak acceleration (11ms duration)	
	IP Level	Front: IP66	Front: IP66	
	Thermal	Fanless	Fanless	
Power	Power Input	19V DC input	19V DC input	
	Power Adapter	150W medical power adapter	150W medical power adapter	
	Battery	3S3P Li-ion battery pack, 11.1V, 7800mAh (optional)	3S3P Li-ion battery pack, 11.1V, 7800mAh (optional)	
	Built-in Medical Power	150W, 85~264 VAC, medical power supply (optional)	150W, 85~264 VAC, medical power supply (optional)	
Certification	EMC & Safety	CE, FCC Class B Part 18 EN 60601-1-2: 2015 (Edition 4.0) EN 60601-1:2006/A1:2013 (Edition 3.1)	CE, FCC Class B Part 18 EN 60601-1-2: 2015 (Edition 4.0) EN 60601-1:2006/A1:2013 (Edition 3.1)	

Ordering Information

Part No.	Description	
22"	POCi-W22C-ULT5-i5/PC/4G-R10	21.5" 250cd/m ² FHD medical panel PC with 8th generation 14nm Intel® mobile Core™ i5-8365UE (15W) 1.6GHz on-board processor (ULT), one 4GB DDR4 RAM, 802.11 ax Wi-Fi module, PCAP touchscreen w/ AG coating, microphone, R10
	POCi-W22C-ULT5-i5/PC/4G-B-R10 *	21.5" 250cd/m ² FHD medical panel PC with 8th generation 14nm Intel® mobile Core™ i5-8365UE (15W) 1.6GHz on-board processor (ULT), one 4GB DDR4 RAM, 802.11 ax Wi-Fi module, PCAP touchscreen w/ AG coating, microphone, w/ battery , R10
	POCi-W22C-ULT5-i5/PC/4G-BP-R10 *	21.5" 250cd/m ² FHD medical panel PC with 8th generation 14nm Intel® mobile Core™ i5-8365UE (15W) 1.6GHz on-board processor (ULT), one 4GB DDR4 RAM, 802.11 ax Wi-Fi module, PCAP touchscreen w/ AG coating, microphone, w/ built-in power , R10
	POCi-W22C-ULT5-i7/PC/4G-R10 *	21.5" 250cd/m ² FHD medical panel PC with 8th generation 14nm Intel® mobile Core™ i7-8665UE (15W) 1.7GHz on-board processor (ULT), one 4GB DDR4 RAM, 802.11 ax Wi-Fi module, PCAP touchscreen w/ AG coating, microphone, R10
	POCi-W22C-ULT5-i7/PC/4G-B-R10 *	21.5" 250cd/m ² FHD medical panel PC with 8th generation 14nm Intel® mobile Core™ i7-8665UE (15W) 1.7GHz on-board processor (ULT), one 4GB DDR4 RAM, 802.11 ax Wi-Fi module, PCAP touchscreen w/ AG coating, microphone, w/ battery , R10
	POCi-W22C-ULT5-i7/PC/4G-BP-R10 *	21.5" 250cd/m ² FHD medical panel PC with 8th generation 14nm Intel® mobile Core™ i7-8665UE (15W) 1.7GHz on-board processor (ULT), one 4GB DDR4 RAM, 802.11 ax Wi-Fi module, PCAP touchscreen w/ AG coating, microphone, w/ built-in power , R10
24"	POCi-W24C-ULT5-i5/PC/4G-R10	23.8" 250cd/m ² FHD medical panel PC with 8th generation 14nm Intel® mobile Core™ i5-8365UE (15W) 1.6GHz on-board processor (ULT), one 4GB DDR4 RAM, 802.11 ax Wi-Fi module, PCAP touchscreen w/ AG coating, microphone, R10
	POCi-W24C-ULT5-i5/PC/4G-B-R10 *	23.8" 250cd/m ² FHD medical panel PC with 8th generation 14nm Intel® mobile Core™ i5-8365UE (15W) 1.6GHz on-board processor (ULT), one 4GB DDR4 RAM, 802.11 ax Wi-Fi module, PCAP touchscreen w/ AG coating, microphone, w/ battery , R10
	POCi-W24C-ULT5-i5/PC/4G-BP-R10 *	23.8" 250cd/m ² FHD medical panel PC with 8th generation 14nm Intel® mobile Core™ i5-8365UE (15W) 1.6GHz on-board processor (ULT), one 4GB DDR4 RAM, 802.11 ax Wi-Fi module, PCAP touchscreen w/ AG coating, microphone, w/ built-in power , R10
	POCi-W24C-ULT5-i7/PC/4G-R10 *	23.8" 250cd/m ² FHD medical panel PC with 8th generation 14nm Intel® mobile Core™ i7-8665UE (15W) 1.7GHz on-board processor (ULT), one 4GB DDR4 RAM, 802.11 ax Wi-Fi module, PCAP touchscreen w/ AG coating, microphone, R10
	POCi-W24C-ULT5-i7/PC/4G-B-R10 *	23.8" 250cd/m ² FHD medical panel PC with 8th generation 14nm Intel® mobile Core™ i7-8665UE (15W) 1.7GHz on-board processor (ULT), one 4GB DDR4 RAM, 802.11 ax Wi-Fi module, PCAP touchscreen w/ AG coating, microphone, w/ battery , R10
	POCi-W24C-ULT5-i7/PC/4G-BP-R10 *	23.8" 250cd/m ² FHD medical panel PC with 8th generation 14nm Intel® mobile Core™ i7-8665UE (15W) 1.7GHz on-board processor (ULT), one 4GB DDR4 RAM, 802.11 ax Wi-Fi module, PCAP touchscreen w/ AG coating, microphone, w/ built-in power , R10

* By order production

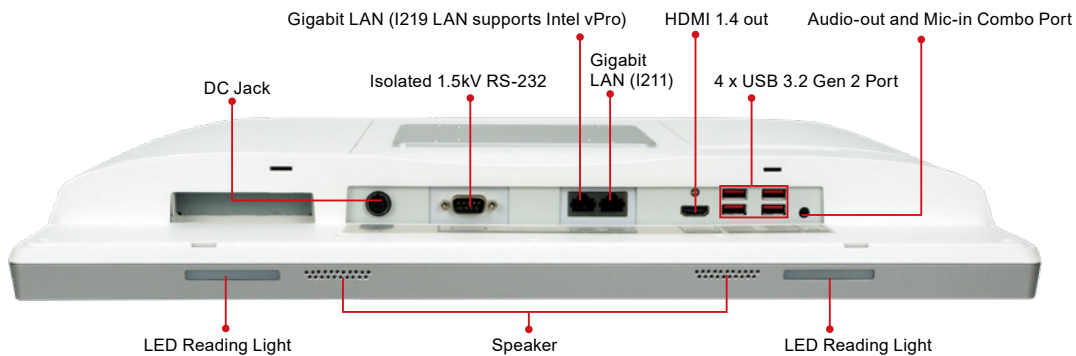
Options

Item	Part No.	Description
RFID	MEDP-MF-RFID-R11	Mifare RFID reader, 13.56MHz, PN7362AUHN, with LED indicator, 250mm antenna cable, IEI assembly only
	7J006-RDR6021AKU-RS	RFID reader, 125KHz, RDR-6021AKU, IEI assembly only
DICOM	MEDP-DICOM-R10	DICOM engine for digital image processing, including image enhancement, color adjustment and panel compensation, IEI assembly only
PoE	GPoE-2P-R20	PCI Express Power over Ethernet card, 2-port 1000 Base(T), 802.3at compliant, low profile, RoHS
TPM	TPM-IN03-R10	20-pin Infineon SPI TPM 2.0 module, software management tool, firmware V7.63
Battery	31603-000069-RS	Battery pack; Li Ion; DPC; TC-202; SAMSUNG; ICR1865026J; 7800mAh; 11.1V; 3S3P; ATO only; CCL; RoHS

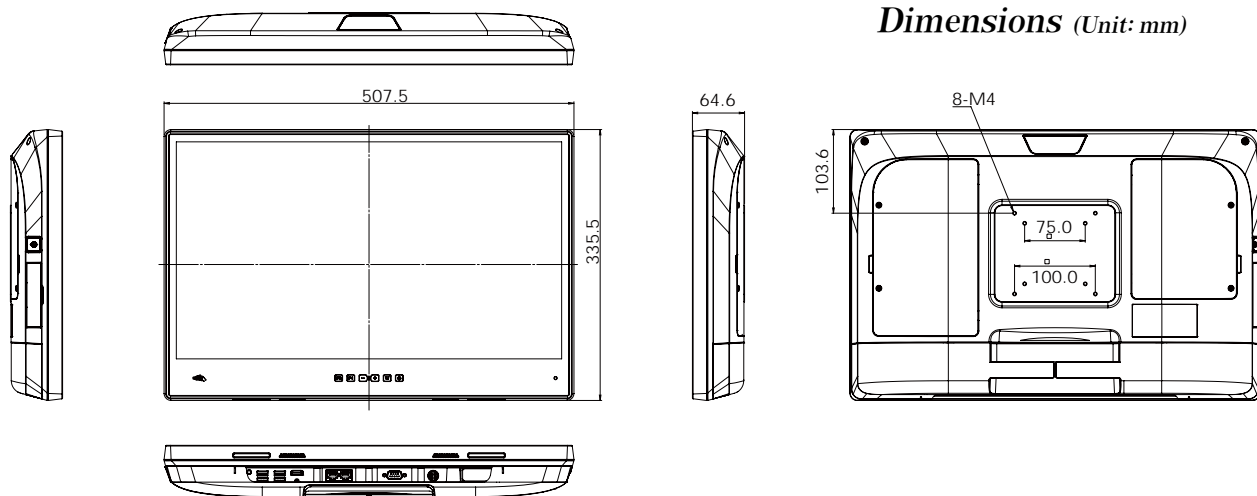
Packing List

Item	Q'ty	Remark
Power Adapter	1	150W medical power adapter
Power Cord	1	European power cord, 183 cm, C13

POCi-W22C-ULT5 / POCi-W24C-ULT5 I/O Interface



POCi-W22C-ULT5 Dimensions (Unit: mm)



POCi-W24C-ULT5 Dimensions (Unit: mm)

