

WIO A+ Server AS -2015SV-WTNRT



More details here

Key Applications

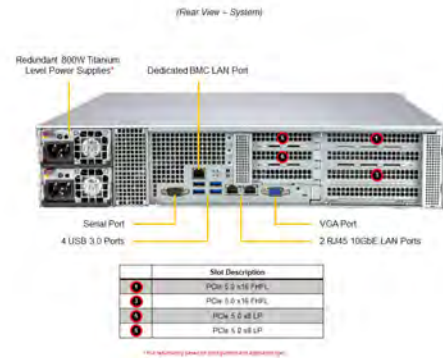
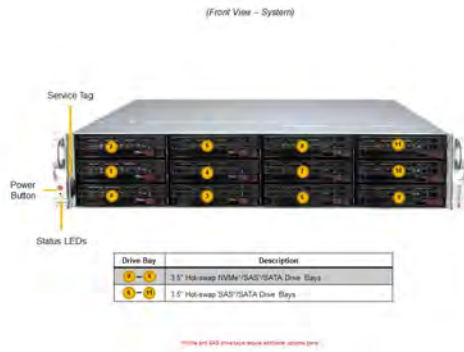
Virtualization, Data Center Optimized, Firewall Applications, Database/Storage, Edge/Cloud Computing Services,

Key Features

- Single Socket AMD EPYC™ 8004 Series Processor;
- 6 DIMM slots, DDR5-4800MHz memory, support up to 576GB;
- 1x dedicated IPMI LAN, 2x 10GbE BaseT LAN ports via Broadcom BCM57416 Controller;
- 12 hot-swap 3.5" drive bays support SATA(default)/NVMe/SAS drives or ;6 SATA/NVMe Hybrid with 6 SATA drives;(Optional cables or SAS controller card for NVMe and SAS drives support);
- Dual 800W Redundant Titanium Level Power Supplies;(Full redundancy based on configuration and application load);
- 2 On-board PCIe 3.0 x4 M.2 NVMe 80mm/110mm (Boot);



Form Factor	2U Rackmount Enclosure: 437 x 89 x 650mm (17.2" x 3.5" x 25.6") Package: 673 x 292 x 864mm (26.5" x 11.5" x 34")
Processor	Single Socket AMD EPYC™ 8004 Series Processor Up to 64C/128T
System Memory	Memory Capacity: 6 DIMM slots Up to 576GB: 6x 96 GB DRAM and 6ECC Registered RDIMM, DDR5-4800MHz Memory Type: 4800MHz ECC DDR5 RDIMM
Drive Bays	12x 3.5" hot-swap SATA/SAS/NVMe drive bays (6x 3.5" NVMe hybrid) PCIe 3.0 x4 M-key, 2280, 22110
Expansion Slots	2 PCIe 5.0 x16 FHFL slot(s) 2 PCIe 5.0 x8 LP slot(s)
On-Board Devices	NVMe: NVMe (optional) SATA: SATA (6Gbps) Chipset: System on Chip Network Connectivity: 2x 10Gb BaseT with Broadcom BCM57416
Input / Output	LAN: 2 RJ45 10 GbE LAN ports 1 RJ45 Dedicated IPMI LAN port USB: 4 USB port(s) (4 rear) Video: 1 VGA port(s) Serial Port: 1 COM Port(s) (1 rear)



System Cooling	Fans: 3 Heavy duty PWM 80x80x38mm Fan(s)
Power Supply	2x 800W Redundant Titanium Level power supplies
System BIOS	<p>BIOS Type: AMI 32MB SPI Flash EEPROM</p> <p>BIOS Features: ACPI 6.4</p> <ul style="list-style-type: none"> SMBIOS 3.5 or later UEFI 2.8 Plug and Play (PnP) USB Keyboard support
PC Health Monitoring	<p>FAN: Fans with tachometer monitoring</p> <ul style="list-style-type: none"> Status monitor for speed control Pulse Width Modulated (PWM) fan connectors <p>Temperature: Monitoring for CPU and chassis environment</p> <ul style="list-style-type: none"> Thermal Control for fan connectors
Dimensions and Weight	<p>Height: 3.5" (89 mm)</p> <p>Width: 17.2" (437 mm)</p> <p>Depth: 25.6" (650 mm)</p> <p>Gross Weight: 58 lbs (26.3 kg)</p> <p>Net Weight: 34 lbs (15.4 kg)</p> <p>Packaging: 11.5" (H) x 26.5" (W) x 34" (D)</p> <p>Available Color: Black</p>
Operating Environment	<p>Operating Temperature: 10°C ~ 35°C (50°F ~ 95°F)</p> <p>Non-operating Temperature: -30°C to 60°C (-22°F to 140°F)</p> <p>Operating Relative Humidity: 8% to 80% (non-condensing)</p> <p>Non-operating Relative Humidity: 8% to 90% (non-condensing)</p>
Motherboard	Super H13SW-NT
Chassis	CSE-826BTS-R000WNBP4