

UP SuperServer SYS-511E-WR



More details here

Key Applications

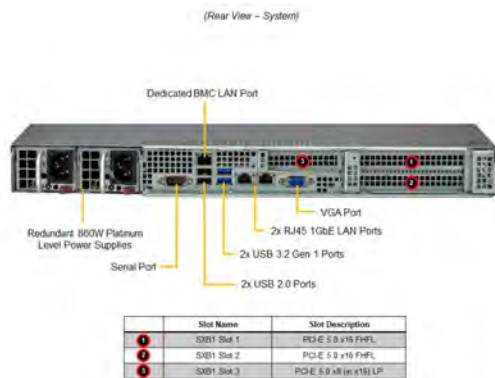
Virtualization, Cloud Computing, Data Center Optimized, Entry GPU server, Value IaaS,

Key Features

- Single Socket E (LGA-4677) 4th Gen Intel® Xeon® Scalable processors. Up to 300W TDP;
- Intel® C741 Chipset;
- 8 DIMMs; Supports 3DS DDR5 RDIMM. Up to 4800 MT/s;
- 2 PCIe 5.0 x16 FHFL; 1 PCIe 5.0 x8 (in x16) LP; 1 PCIe 3.0 x2 NVMe M.2;
- Onboard 1G LAN ports (Intel® i210), 1 dedicated IPMI LAN;
- 4x front hot-swap 3.5" SATA3 drive bays, SAS3 with additional SAS controller card;
- Redundant Platinum 860W Power Supplies;



Form Factor	1U Rackmount Enclosure: 437 x 43 x 650mm (17.2" x 1.7" x 25.6") Package: 596.9 x 215.9 x 855.98mm (23.5" x 8.5" x 33.7")
Processor	4th Gen Intel® Xeon® Scalable processors Single Socket LGA 4677 (Socket E) supported (Supports up to 300W TDP CPUs (Aircooled))
System Memory	8 DIMM slots
Drive Bays	4x 3.5" SATA/SAS drive bays;
Expansion Slots	2 PCIe 5.0 x16 FHFL slot(s) 1 PCIe 5.0 x8 (in x16) LP slot(s) Note: Acronyms: (FH = Full Height, LP = Low Profile, FL = Full Length, HL = Half Length)
On-Board Devices	SATA: SATA3 (6Gbps); RAID 0/1/5/10 support Chipset: Intel® C741 Network Connectivity: 2x 1GbE BaseT with Intel® i210 IPMI: Support for Intelligent Platform Management Interface v.2.0 IPMI 2.0 with virtual media over LAN and KVM-over-LAN support
Input / Output	SATA: 8 SATA (6Gbps) port(s) LAN: 2 RJ45 1GbE LAN ports 1 RJ45 Dedicated IPMI LAN port USB: 3 USB 2.0 port(s) (2 rear; 1 Type A) 4 USB 3.2 Gen 1 port(s) (2 rear; 2 headers) Video: 1 VGA port(s) Serial Port: 2 COM Port(s) (1 header; 1 rear) DOM: 2 SuperDOM (Disk on Module) port with built-in power



System Cooling	5x (4cm x 4cm x 5.6cm) heavy duty fan(s) 5x (4cm x 4cm x 5.6cm) heavy duty fan(s)
Power Supply	800W/860W 1U redundant power supply Dimension (W x H x L): 54.5 x 40.25 x 322 mm Output Type: Backplanes (gold finger)
System BIOS	BIOS Type: AMI 32MB SPI Flash EEPROM
Management	NMI; SUM; KVM with dedicated LAN; SPM; Intel® Node Manager; SSM; Redfish API; IPMI2.0
PC Health Monitoring	CPU: Monitors for CPU Cores, Chipset Voltages, Memory 8 Phase-switching voltage regulator FAN: Fans with tachometer monitoring Status monitor for speed control Pulse Width Modulated (PWM) fan connectors Temperature: Monitoring for CPU and chassis environment Thermal Control for fan connectors
Dimensions and Weight	Height: 1.7" (43 mm) Width: 17.2" (437 mm) Depth: 25.6" (650 mm) Gross Weight: 46 lbs (20.87 kg) Net Weight: 22 lbs (9.98 kg) Packaging: 8.5" (H) x 23.5" (W) x 33.7" (D) Available Color: Black
Operating Environment	Operating Temperature: 10°C ~ 35°C (50°F ~ 95°F) Non-operating Temperature: -30°C to 60°C (-22°F to 140°F) Operating Relative Humidity: 8% to 80% (non-condensing) Non-operating Relative Humidity: 8% to 90% (non-condensing)
Motherboard	Super X13SEW-F
Chassis	CSE-815BTS-R860WP