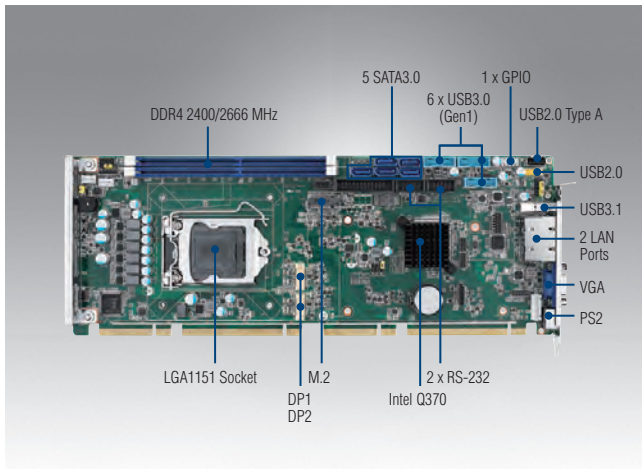


# PCE-5131

## LGA1151 8th and 9th Generation Intel® Core™ i7/i5/i3/Pentium/Celeron System Host Board with DDR4, SATA 3.0, USB 3.1, M.2, Dual GbE, and Triple Displays



### Features

- Intel® Core™ i7/i5/i3 LGA1151 processor with Q370 chipset
- Up to 64 GB of dual-channel (non-ECC) DDR4 2400/2666 MHz
- PCIe 3.0, M.2, USB 3.0, SATA 3.0, and SW Raid 0, 1, 5, 10
- Supports out-of-band remote management with AMT
- Supports Advantech's LPC modules, SUSIAccess, and embedded software APIs

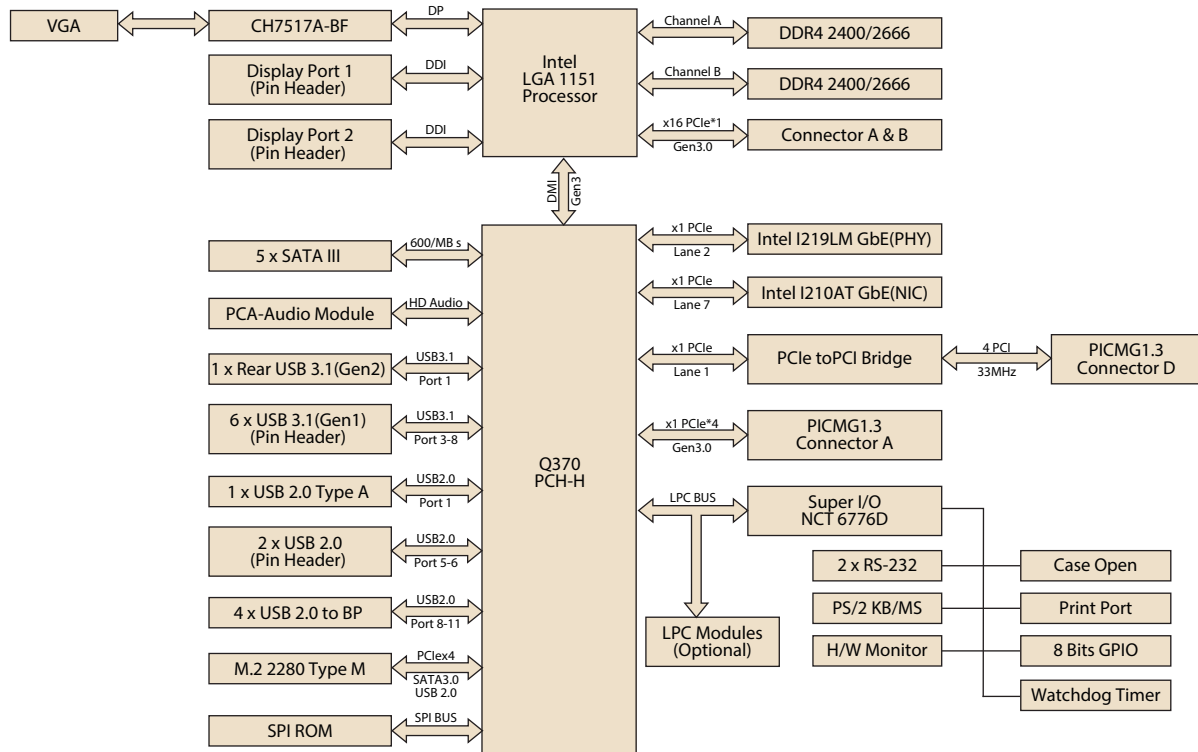
Note 1: Intel 8th and 9th generation processors only support Windows 10 (64-bit) (RS5 version).

### Quiet Specifications



	CPU	i7-9700E	i7-9700TE	i7-8700	i7-8700T	i5-9500E	i5-9500TE	i5-8500	i5-8500T	i3-9100E	i3-9100TE	i3-8100	i3-8100T	G5400	G5400T	G4900	G4900T	
Processor System	Speed	2.6GHz	1.8 GHz	3.2 GHz	2.4 GHz	3.0 GHz	2.2 GHz	3.0 GHz	2.1 GHz	3.1 GHz	2.2 GHz	3.6 GHz	3.1 GHz	3.7 GHz	3.1 GHz	3.1 GHz	2.9 GHz	
	L3 Cache	12 MB	12 MB	12 MB	12 MB	9 MB	9 MB	9 MB	9 MB	6 MB	6 MB	6 MB	6 MB	4 MB	4 MB	2 MB	2 MB	
	Cores	8	8	6	6	6	6	6	6	4	4	4	4	2	2	2	2	
	TDP	65 W	35 W	65 W	35 W	65 W	35 W	65 W	35 W	65 W	35 W	65 W	35 W	58 W	35 W	54 W	35 W	
	Socket	LGA1151																
	Chipset	Q370																
	BIOS	AMI 256 Mbit SPI																
Bus	PCI-Express	1 x PCIe x16 and 1 x PCIe x4 to backplane																
	PCI	4 x PCI master to backplane, 32-bit, 33 MHz																
Memory	Technology	Dual-channel (non-ECC) U-DIMM DDR4 2400/2666 MHz (supports x8 DDR4 1024 M)																
	Max. Capacity	up to 64GB (based on CPU)																
	Socket	2 x DDR4 288-pin DIMM																
Graphics	Controller	Chipset integrated with Intel® HD Graphics																
	VRAM	Shared system memory is subject to OS																
	VGA	Supports resolutions of up to 1920 x 1200 pixel @ 60 MHz																
	DVI-D	Supports resolutions of up to 1920 x 1200 pixel @ 60 MHz																
	Display Port	Supports resolutions of up to 1920 x 1080 pixel @ 60 Hz																
Ethernet	Triple Display	CRT+DP/DVI-D+DP/DVI-D																
	Interface	10/100/1000 Mbps																
	Controller	LAN 1: Intel® I219-LM LAN 2: Intel® I210AT																
Rear I/O	Connector with LED	2 x RJ45																
	USB 3.1(Gen2)	1																
	Ethernet	2																
	VGA	1																
Internal Connector	PS/2	1 (PS/2 Y cable supports 1 x keyboard and 1 x mouse)																
	USB	7 x USB 2.0 (pin header*2 + USB Type A*1 + 4 on backplane) 6 x USB 3.1(Gen1) (pin header)																
	SATA (SW Raid 0,1,5,10)	5																
	M.2 (2280 Type M)	1 (supports SATA 3.0)																
	DP/DVI-D	2 (Pin header)																
	COM	2																
	IrDA	1																
Watchdog Timer	GPIO	8bit																
	Output Interval	System reset Programmable 1-255 sec																
Miscellaneous	Audio	Intel® High Definition audio interface (requires audio extension module PCA-AUDIO-HDB1E)																
Power Requirement	Test Environment	i7-8700, 3.4 GHz, 65 W, with 2 x 8-GB DDR4 2133																
	Voltage	+12V					+5V					+3.3V						
	Current	4.30A					2.15A					0.69A						
Environment	Operating Temperature	0 ~ 60 °C (dependent on CPU and cooler solution)										Non-Operating -40 ~ 85 °C						
	Humidity	40 °C @ 85% relative humidity (non-condensing)										60 °C @ 95% relative humidity (non-condensing)						
	Dimensions (L x H)	338 x 122 mm (13.3" x 4.8")																

## Block Diagram



## Ordering Information

Part Number	PCH	Memory	Backplane	LAN	VGA	DP/DVI-D	COM	SATA III	M.2	USB 2.0	USB 3.1	USB 3.1 (Gen2)	S/W Raid	AMT
PCE-5131G2-00A2	Q370	Non-ECC	PCE-5BXX PCE-7BXX	2	Yes	2*	2	5	1	7	6	1	Yes	Yes

Note: DP/DVI-D cable is optional

## Packing List

Part Number	Description	Quantity
1700003194	Serial ATA HDD data cable	x2
1700060202	Keyboard and mouse Y-cable	x1
1701090401	1-port COM cable kit	x1
1700002204	2-port USB 2.0 cable kit	x1
2190000902	Warranty card	x1
2001512910	Startup manual	x1

## Optional Accessories

Part Number	Description
1960049408N001	CPU heat sink for 1U Chassis and 35W TDP
1960050255N001	CPU cooler for 2U Chassis and 95W TDP
1960052651N021	CPU cooler for 2U/4U Chassis and 80W TDP
1700002204	2-port USB 2.0 cable kit
1700020277-01	2-port USB 3.0 cable kit
1700031719-01	4-port USB 3.0 cable kit
1701090401	1-port COM cable kit
1701092300	2-port COM cable kit
PCE-DP10-00A1E	DP to DP cable kit
1700021831-01	DP to DVI-D cable kit
PCA-TPM-00B1E	TPM 2.0 module
PCA-AUDIO-HDB1E	Audio module
PCA-COM232-00A1E	4-port RS-232 module via LPC interface
PCA-COM485-00A1E	4-port RS-422/485 module via LPC interface

## I/O View



PCE-5131G2-00A2