

BigTwin SuperServer SYS-620BT-DNTR



More details here

Key Applications

Hyperconverged Infrastructure, Scale-Out Object Storage, Back-up & Recovery,

Key Features

- Socket P+ (LGA 4189) support 3rd Gen Intel® Xeon® Scalable processors;
- Intel® C621A;
- 20 DIMM Slots (16 DIMM Slots + 4 Intel® Optane™ Persistent Memory Slots);
- Internal PCIe 4.0 x8 for 2 M.2 NVMe/SATA support onboard; Optional NVMe Boot Controller via AOC-SMG3-2M2-B; 1 PCIe 4.0 x16 (LP) slot; 2 PCIe 4.0 x8 (LP) slot; Tool-less support;
- Network connectivity via AIOM (OCP 3.0 compliant);
- 6 Hot-swap 3.5" drive bays; 6 PCIe 4.0 NVMe/SATA 3.5" drives;
- 2 cooling fans per node, 14.9K RPM; Liquid Cooling Support;
- 2200W Redundant Power Supplies Titanium Level (96%+); Shared Power Design;



Form Factor

2U Rackmount
Enclosure: 449 x 88 x 774mm (17.68" x 3.47" x 30.5")
Package: 626 x 248 x 1150mm (24.65" x 9.76" x 45.28")

Processor

3rd Gen Intel® Xeon® Scalable processors
Dual Socket LGA 4189 (Socket P+) supported
TDP up to 250W;
(Certain CPUs with high TDP may be supported only under specific conditions. Please contact Supermicro Technical Support for additional information about specialized system optimization)

System Memory

16 DIMM slots (16 DRAM + 4 PMem)
UP to 4TB: 16x 256GB DRAM
UP to 6TB: 8x 256GB DRAM and 8x 512GB Intel® Optane™ Persistent Memory

Drive Bays

6x 3.5" hot-swap NVMe/SATA drive bays (6x 2.5" NVMe hybrid; 6x 3.5" NVMe hybrid)

Expansion Slots

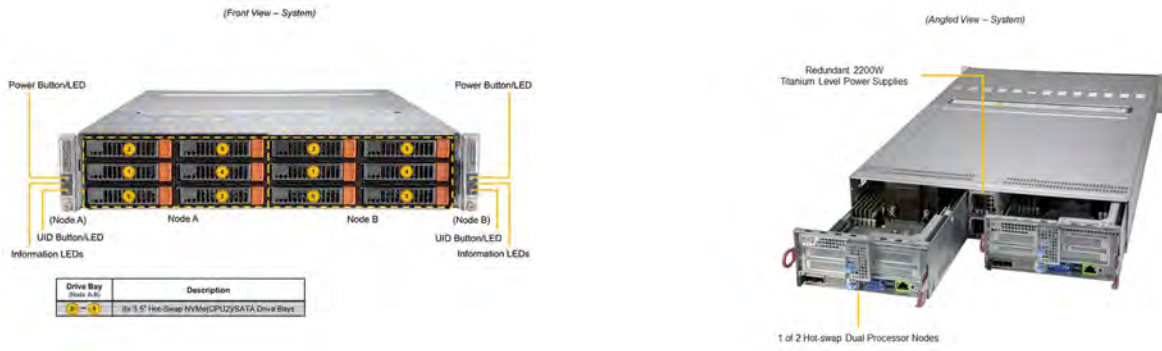
2 PCIe 4.0 x8 LP slot(s)
1 PCIe 4.0 x16 LP slot(s)

On-Board Devices

Chipset: Intel® C621A
Network Connectivity: Via AIOM
IPMI: Support for Intelligent Platform Management Interface v.2.0
IPMI 2.0 with virtual media over LAN and KVM-over-LAN support

Input / Output

LAN: 1 RJ45 Dedicated BMC LAN port
USB: 2 USB 3.0 port(s) (2 rear)
Video: 1 VGA port(s)
Others: M.2 for boot drive only



System Cooling	4x 14.9K RPM Heavy Duty 8cm Fan(s)
Power Supply	2200W Redundant Power Supplies with PMBus Dimension (W x H x L): 45 x 40 x 480 mm
System BIOS	BIOS Type: AMI 32MB Flash ROM
Management	SuperDoctor® 5; Watch Dog; SUM; IPMI 2.0; KVM with dedicated LAN; SPM; Intel® Node Manager; SSM; SuperCloud Composer; Supermicro Out of Band (OOB) License (Included per Node)
PC Health Monitoring	FAN: Fans with tachometer monitoring Status monitor for speed control Pulse Width Modulated (PWM) fan connectors Temperature: Monitoring for CPU and chassis environment CPU: Monitors for CPU Cores, Chipset Voltages, Memory. 7+1 Phase-switching voltage regulator
Dimensions and Weight	Height: 3.47" (88 mm) Width: 17.68" (449 mm) Depth: 30.5" (774 mm) Gross Weight: 114.66 lbs (52.01 kg) Net Weight: 87.13 lbs (39.52 kg) Packaging: 9.76" (H) x 24.65" (W) x 45.28" (D) Available Color: Black
Operating Environment	ROHS: RoHS Compliant Operating Temperature: 10°C ~ 35°C (50°F ~ 95°F) Non-operating Temperature: -40°C to 60°C (-40°F to 140°F) Operating Relative Humidity: 8% to 90% (Non-Condensing) Non-operating Relative Humidity: 5% to 95% (Non-Condensing)
Motherboard	Super X12DPT-B6
Chassis	CSE-827BD-000NP