

UNO-137

Compact DIN-Rail Controller with Intel® Atom® E3940 CPU, 2 x LAN, 2 x COM, 3 x USB 3.0, 1 x USB 2.0, 2 x DP 1.2, 8 x DI, 8 x DO, 1 x M.2 B key, 1 x mPCIe, and TPM 2.0

NEW



Features

- Intel® Atom® E3940 processor (1.6 GHz) with 8GB DDR3L memory
- Wide power input range (10 ~ 36 V_{DC})
- Wide operating temperature range (-40 ~ 70 °C/-40 ~ 158 °F)
- Port isolation for 8 x DI, 8 x DO, 2 x COM
- DP++ ensures HDMI/DVI compatibility
- Dual storage: M.2 2242 SATA SSD and 2.5" HDD/SSD
- Onboard TPM 2.0 provides hardware-based security
- Supports M.2 3042/M.2 3052 module
- Modular design for optional iDoor extension
- Ruggedized DIN-rail kit
- Compliant with IEC 61010-1 safety requirements

Introduction

Advantech's UNO-100 series are DIN-rail integrated controller that feature a modular design for flexible configuration according to specific usage requirements. UNO-137 is equipped with an Intel® Atom® E3940 processor (1.6 GHz), 8 GB DDR3L RAM, and wide operating temperature range (-40 ~ 70 °C/-40 ~ 158 °F), as well as 2 x LAN, 2 x COM, 3 x USB 3.0, 1 x USB 2.0, 8 x DI, 8 x DO, and 2 x DP 1.2. The controller also supports 1 x full-size mini PCIe, 1 x M.2 (B-key), and 1 x nano SIM card slot for convenient expansion to satisfy diverse industrial applications. Compliant with IEC 61010-1 safety requirements for industrial use, UNO-137 can be equipped with an optional second-stack extension kit that supports Advantech's iDoor technology for integrating additional industrial Fieldbus, wireless communication, I/O, and peripheral modules.

Specifications

General

- **Certification** CE, FCC, UL 61010-2-201, CCC, BSMI
- **Dimensions (W x D x H)** 35 x 105 x 150 mm (1.4 x 4.1 x 5.9 in)
- **Form Factor** Small
- **Enclosure** Aluminum housing
- **Mounting** DIN-rail
- **Weight (Net)** 0.8 kg (1.7 lb)
- **Power Requirement** 10 ~ 36 V_{DC}
- **Power Consumption** 21W (typical), 47W (max.)
*For USB iDoor (PCM-24U2U3-BE): 56W max.
*For PoE iDoor (PCM-24R2PE-AE): 77W max.
Win 10 2019 LTSC, AdvLinux (Ubuntu 18.04)
- **OS Support**

System Hardware

- **BIOS** AMI UEFI (128 Mbit)
- **Watchdog Timer** Programmable timer with 255 intervals (1 ~ 255 sec)
- **Hardware Security** TPM2.0
- **Processor** Intel® Atom® E3940, 1.6 GHz (up to 1.8 GHz)
- **Memory** Built-in 8 GB DDR3L, 1600 MHz (Up to 8 GB)
- **Graphics Engine** Intel® HD Graphics
- **Ethernet** Intel® i210-IT GbE, I1EEE802.1AS, 802.3az
- **LED Indicators** 1 x Programmable LED, 1 x power LED, 1 x RTC battery LED, and LAN (active, status)
- **Storage** 1 x 2.5" SSD/HDD (up to 9.5 mm height)
1 x M.2 B key 2242 SSD
- **Expansion** 1 x Full-size mPCIe (PCIe/USB signal)
1 x M.2 (B-key) 2242 SSD (SATA signal),
3042/3052 cellular module (USB signal)
1 x nano SIM card slot

I/O

- **Isolated Serial Ports** 2 x RS-232/422/485 (terminal block)
50bps ~115.2 kbps (isolation protection: 2500 VDC)
- **LAN** 2 x 10/100/1000 Mbps IEEE 802.3u 1000 BASE-T (RJ45)
- **USB** 3 x USB 3.2 Gen 1, 1 x USB 2.0 (Type A)

- **Isolated DI/O** 8 x Digital input channels with 2500 V_{DC} isolation protection
- Wet contact: Logic 0: 10 ~ 30 V_{DC}/
Logic 1: 0 ~ 3 V_{DC}
- Dry contact: Logic 0: Shorted to GND/
Logic 1: Open
8 x Digital output channels
- Output voltage: 5 ~ 30 V_{DC}
- Output capability sink: 500 mA max./channel
- **Displays** 2 x DP 1.2, up to 4096 x 2306 @ 60 Hz
- **Power Connector** 1 x 2-pin terminal block

Environment

- **Operating Temperature*** -40 ~ 70 °C/-40 ~ 158 °F with 0.7m/s airflow, with wide-temperature (-40 ~ 85 °C/-40 ~ 185 °F) peripherals (e.g., SSD, wireless modules)
-40 ~ 85 °C/-40 ~ 185 °F
- **Storage Temperature** -40 ~ 85 °C/-40 ~ 185 °F
- **Relative Humidity** 95% RH @ 40 °C/104 °F, non-condensing
- **Shock Protection** Operating, IEC 60068-2-27, 50G, half sine, 11ms
- **Vibration Protection** Operating, IEC 60068-2-64, 4 Grms, random, 5 ~ 500 Hz, 1hr/axis (SSD)
Operating, IEC 60068-2-64, 0.3 Grms, random, 5 ~ 500 Hz, 1hr/axis (HDD)
- **Ingress Protection** IP40

*Operating temperature with M.2 SSDs should be maintained under 60 °C/140 °F.

Installation Scenario

DIN-rail mounting installation

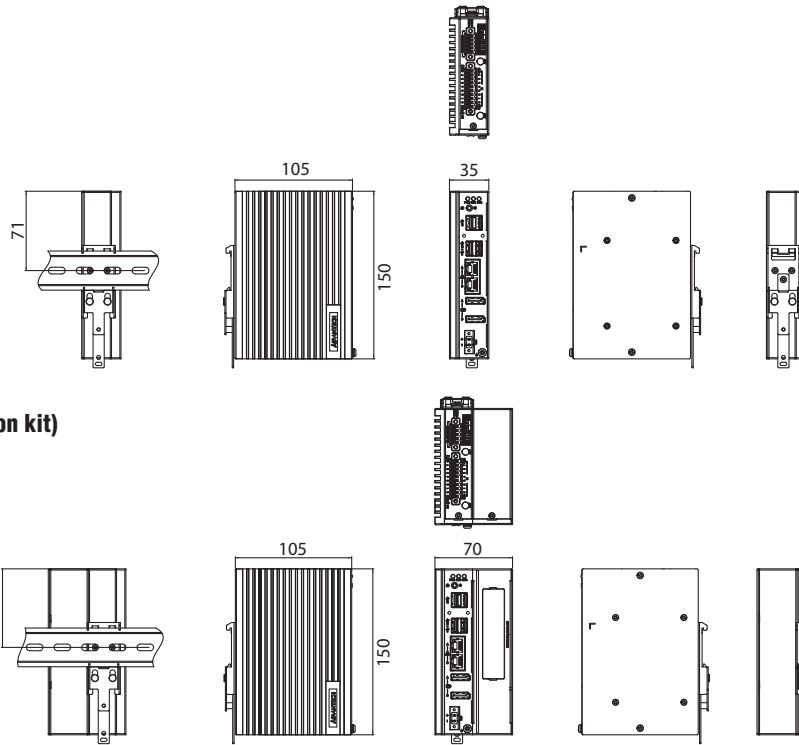


Ordering Information

- **UNO-137-E13BA** Compact DIN-rail controller with Intel® E3940 CPU (1.6 GHz), 8 GB DDR3L, 2 x LAN, 2 x COM, 4 x USB, 8 x DI/O

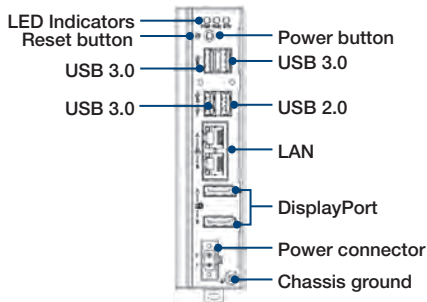
Dimensions

Unit: mm

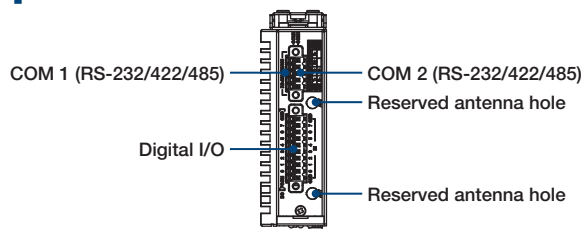


(With optional extension kit)

Front I/O



Top I/O



Extension Kit

- UNO-137-ID1EA

Embedded OS

- 20703WX9ES0045 Img WIN10LTSC x64 v6.06 B010 UNO-137/410 Entry
- 20703LEB1S0113 Image AdvLinuxTu V2.1.3 for UNO/TPC/WISE

Optional Accessories

- UNO-137-VEGA330 Accessory kit for VEGA-330

DIN-Rail Power Supply

- PSD-A60W24 A/D 100-240V, 60W, 24V (ADV)
- 96PSD-A120W24-MN A/D 100 - 240V, 120W, 24V NDR
- PSD-A120W24 A/D 100 - 240V, 120W, 24V(ADV) (recommended for use with PoE iDoor module)

Adapter & Power Cable

- XARK-ADP-90MDH A/D 100 - 240V, 90W, 19V, W/PFC C6 cord end, 2 pin
- 1700001524 Power Cord UL 3P 10A 125V 183cm for US
- 170203183C Power Cord EU 3P 2.5A 250V 183cm for EU
- 170203180A Power Cord BSI 3P 2.5A 250V 183cm for UK
- 1700019146 Power Cord CCC 3P 2.5A 250V 183cm for CN
- 1700018553 Power Cord SAA 3P 2.5A 250V 183cm for AU
- 1702002600 Power cable US plug, 1.8 M (industrial grade)
- 1702002605 Power cable EU plug, 1.8 M (industrial grade)
- 1702031801 Power cable UK plug, 1.8 M (industrial grade)
- 1700000596-11 Power cable CN/AUS plug, 1.8 M (industrial grade)

Wireless Solution

- AIW-355DQ-C01 5G(Sub-6G)/LTE/WCDMA module, GNSS, for China
- AIW-355DQ-E01 5G(Sub-6G)/LTE/WCDMA module, GNSS, for Europe
- AIW-355DQ-N01 5G(Sub-6G)/LTE/WCDMA module, GNSS, for US
- UNO-M2-3052HS M.2B 3052 Heatsink for AIW-355 5G module
- 1750008569-01 Cable Ant. SMA/F-BH MHF4/113 BLK L300mm
- 1750008879-01 Cable Ant. SMA/F-BH MHF4/113 BLK L150mm
- 1750009372-01 Dipole antenna, 5G(Sub-6G)/LTE/WCDMA full band, 167 mm