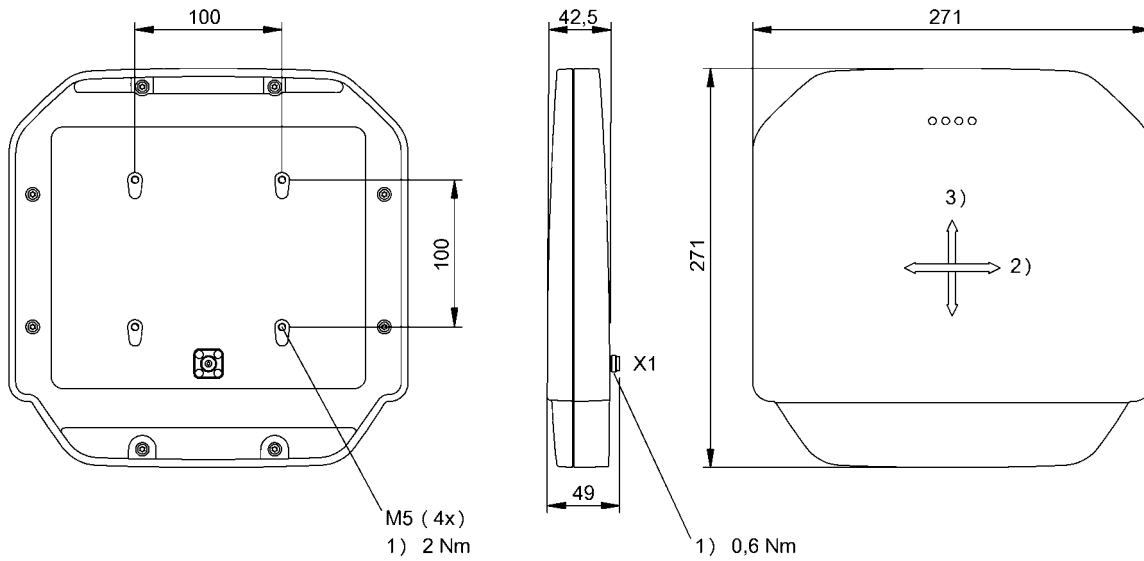


UHF (860...960 MHz)  
 BIS U-302-C1-TNCB  
 Ordercode: BIS00U0



1) Tightening torque 2) horizontal 3) vertical

### Electrical connection

Connection slots TNC-Female

### Electrical data

Antenna gain	8.3 dBi
Antenna impedance	50 Ohm
Front-to-back ratio	≥ 18 dB
Permissible radiated power	FCC CFR47 Part 15 Part 15.247 ≤ 4 W EIRP
Polarization	circular
VSWR (voltage standing wave ratio)	≤ 1.2:1
Working frequency	USA 902...928 MHz

### Environmental conditions

Ambient temperature	-20...55 °C
Continuous shock load	yes
EN 60068-2-27, Shock	yes
EN 60068-2-6, Vibration	yes
Protection degree	IP65 with connector

Storage temperature -40...85 °C

### Material

Housing material Aluminum, antenna hood: polymer blend

### Mechanical data

Application weight	1700.00 g
Dimension	271 x 42.5 x 271 mm

### Range/Distance

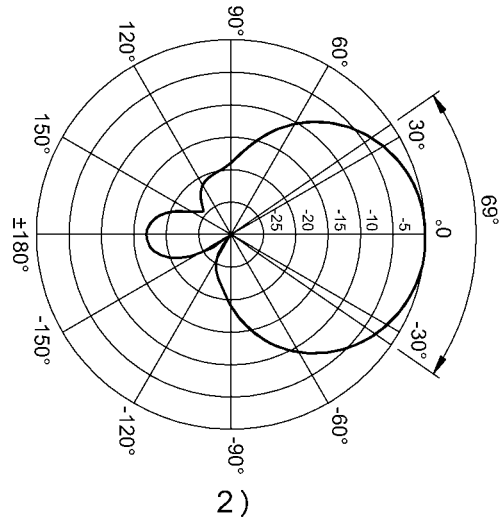
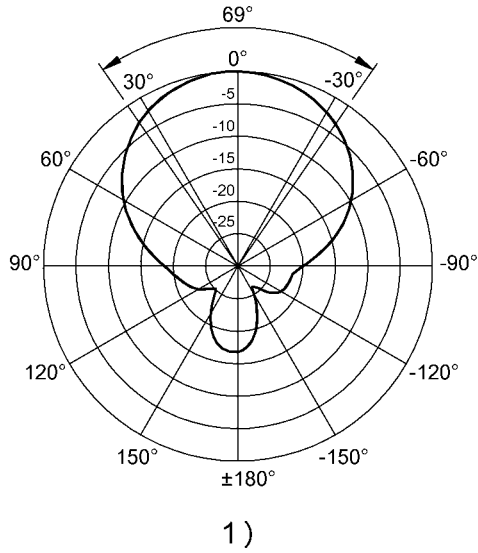
Axial ratio	typ. 1 dB
Opening angle min.	69° × 69°

### Remarks

When installing, the technical standards and regulations of the corresponding countries must be observed.  
 Values are under rated conditions unless otherwise specified.  
 For basic equipment: Accessories see [www.balluff.com](http://www.balluff.com)

UHF (860...960 MHz)  
BIS U-302-C1-TNCB  
Ordercode: BIS00U0

Diagram



- 1) Radiation diagram horizontal
- 2) Radiation diagram vertical